



# Signature Series™ 400 Pond Skimmer

**For Model #**

43021 - Signature Series 400



**Thank you for choosing the Signature Series™ Skimmer.** At Aquascape our goal is to provide our customers with the best valued products in water gardening. We hope you enjoy your purchase and thank you for choosing Aquascape.

*Your Paradise. Our Passion.®*



# Signature Series™ 400 Pond Skimmer

Aquascape's Signature Series Skimmer provides mechanical filtration for your pond. Our skimmers were designed by pond professionals to be functional and easy-to-install and maintain. They include patented features that make a maintenance free pond effortless. The skimmer Filter includes a lifetime warranty!



Download a free copy of our catalog



Visit Aquascape Academy - Access a series of courses designed to help propel you forward as a water feature hobbyist or installer.



Aquascape online resources - Access product information, installation manuals (English & French), videos, inspirational photos and more, on one convenient site.

## TABLE OF CONTENTS

Introduction .....	2
Contents .....	3
Recommended Tools .....	3
Installation .....	4
General Maintenance .....	8
Replacement Parts .....	9
Warranty .....	9

## ☎ Contact Us

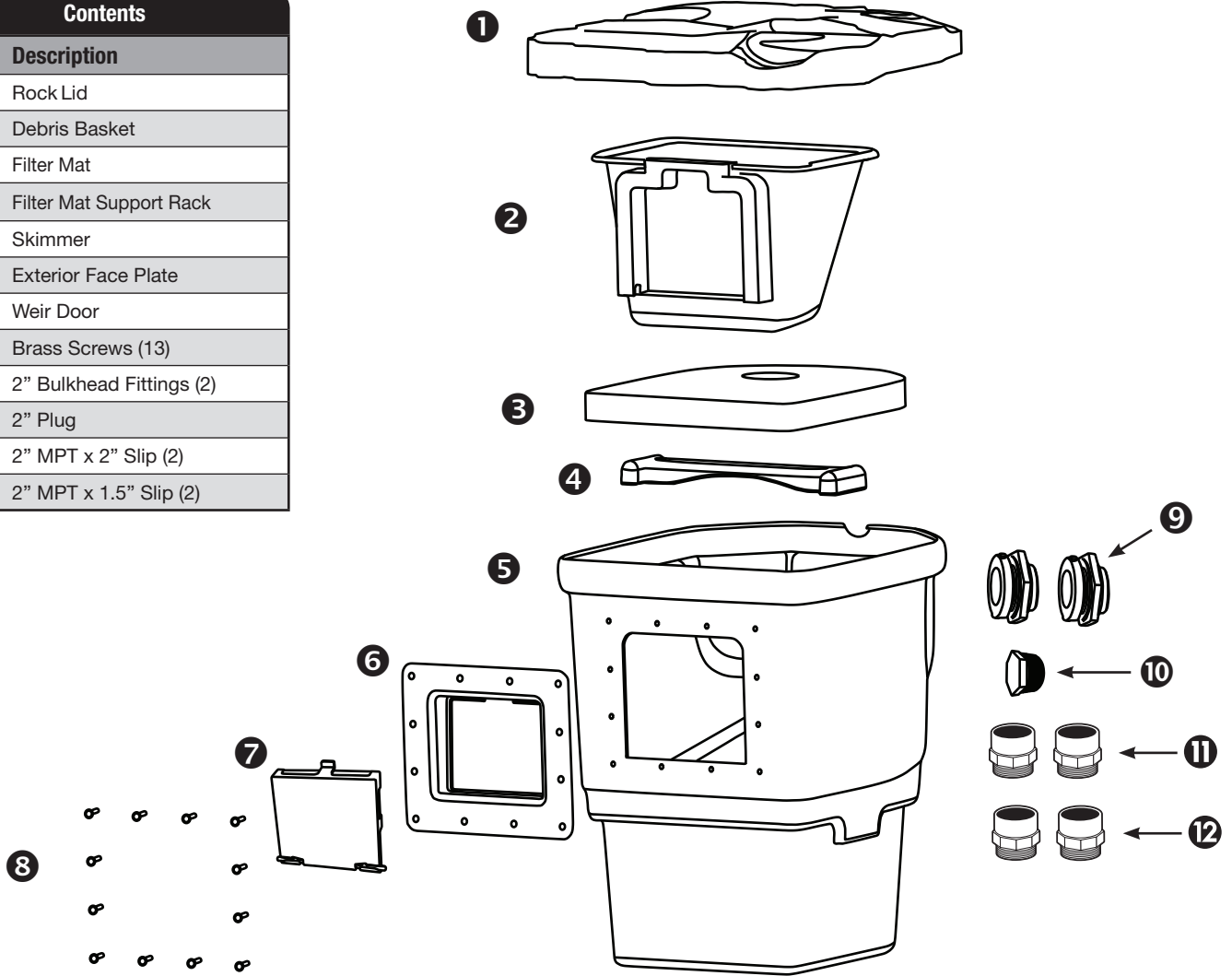
For more information about our company or products please visit our website at [www.aquascapeinc.com](http://www.aquascapeinc.com) or call (US) 1-866-877-6637 (CAN) 1-866-766-3426.

## Find us on:

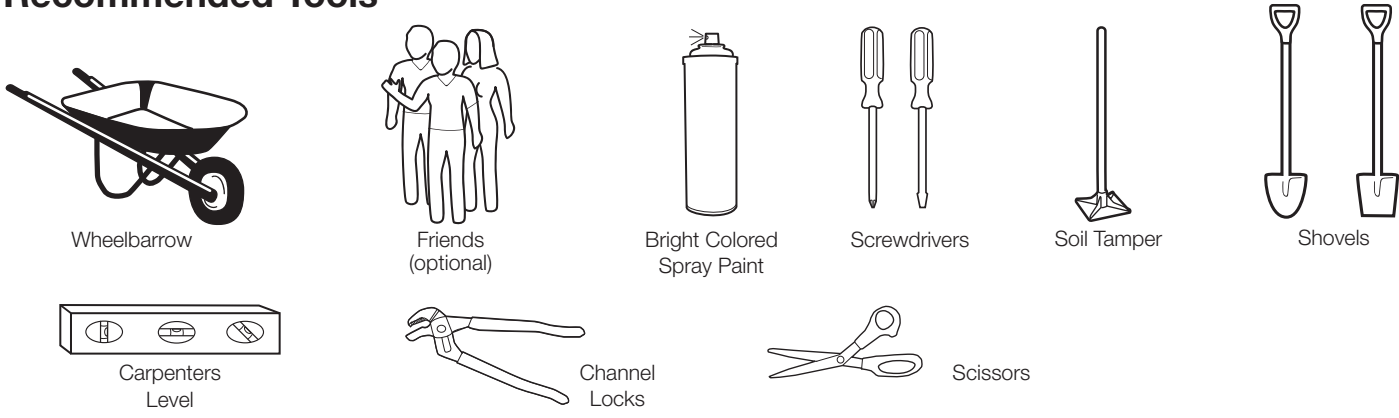


[www.facebook.com/AquascapeInc](http://www.facebook.com/AquascapeInc)  
[www.youtube.com/aquascape4](http://www.youtube.com/aquascape4)  
[www.twitter.com/AquascapeInc](http://www.twitter.com/AquascapeInc)  
[www.flipboard.com/profile/AquascapeInc](http://www.flipboard.com/profile/AquascapeInc)

Contents	
No.	Description
1.	Rock Lid
2.	Debris Basket
3.	Filter Mat
4.	Filter Mat Support Rack
5.	Skimmer
6.	Exterior Face Plate
7.	Weir Door
8.	Brass Screws (13)
9.	2" Bulkhead Fittings (2)
10.	2" Plug
11.	2" MPT x 2" Slip (2)
12.	2" MPT x 1.5" Slip (2)



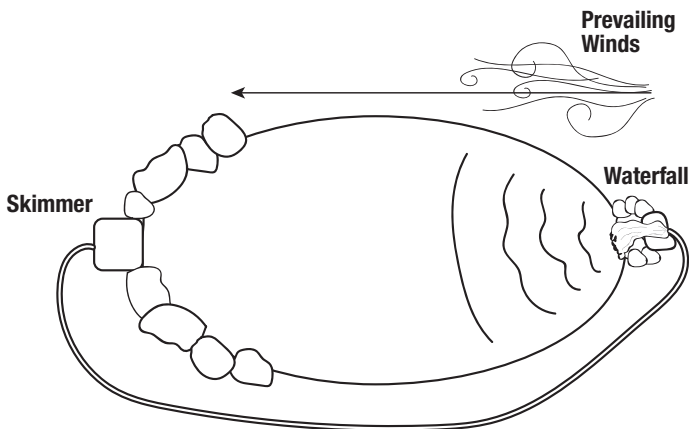
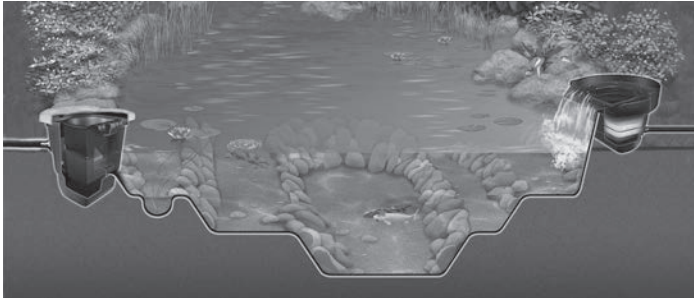
### Recommended Tools



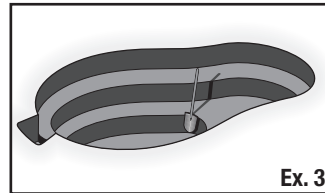
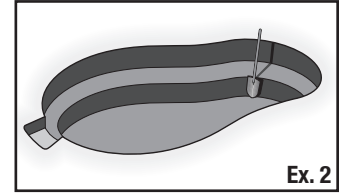
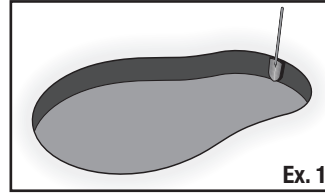
## STEP 1

### PLACEMENT OF THE SKIMMER

- In order to maximize circulation, the skimmer should be placed directly across from a waterfall. If you do not have a waterfall, use your area's prevailing winds to determine where you should place your skimmer along the longest axis. Use the wind to help push the debris toward the skimmer.



- The second is typically down another 8-10" deeper. In this step start your excavation of the skimmer hole (See Ex. 2).
- The third shelf (if desired) will be excavated down another 6" reaching a final excavation of 24" (See Ex. 3).



## STEP 3

### EXCAVATING YOUR SKIMMER LOCATION

- Rough out and excavate an area for the skimmer. Use the outline of the skimmer as your guide.
- When installing the skimmer onto an existing pond you will need to drain the water from the pond. If you have fish, save some water from the pond and place in a large bucket, kiddie pool or cooler. Catch your fish and place them in your container. Be sure to add an aerator and keep the fish in a shaded area. Remove any rock that is in front of and within 3 feet on either side of the skimmer. Pull your existing liner and underlayment back into the pond 3-4 feet from edge, so you expose the area that needs to be excavated for the skimmer.
- When installing into an existing pond, we recommend placing the skimmer lid in the position you have chosen. Overhang the lid about 6" towards the inside of the pond. Positioning the skimmer towards the inside of the pond an extra 6" will allow you some slack in the liner and make attaching the faceplate easier. Mark the location on the ground where the skimmer will be excavated into position.

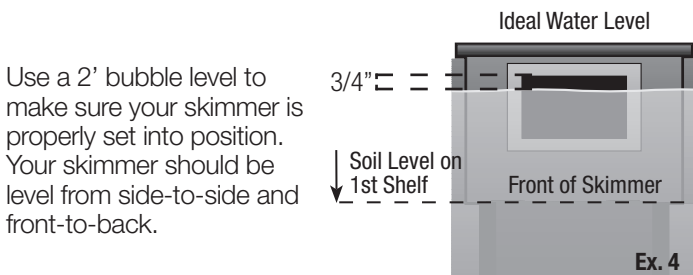


## STEP 2

### EXCAVATING YOUR POND BASIN

- If you are installing the skimmer on an existing pond skip this step and proceed to the next.
- We suggest excavating the pond no more than 18-24" deep. This depth provides the proper water levels required for aquatic plants and is deep enough to keep fish alive during winter.
- The excavation should be dug with a series of shelves. The shelves will add stability to the walls of the pond and will also create planting beds for different types of aquatic plants.
- The first shelf should be about 8-10" deep or the height of a standard shovel blade (See Ex. 1).

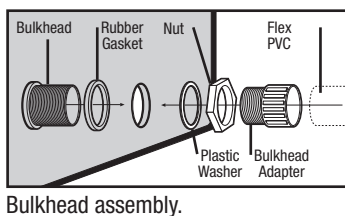
- Make sure the excavated area under the skimmer is compacted and level.
- The skimmer should be excavated down to a depth so that the proposed water level in the pond is approximately 3/4" below the top of the opening of the skimmer (See Ex. 4). If installing on an existing pond, use the known water level as your guideline on how deep to excavate the skimmer.
- Re-check all your measurements including length and width of pond, plant shelf depth and overall pond depth.



## STEP 4

### INSTALLING THE SKIMMER

- Install the two bulkheads into the back of the Signature Series™ skimmer prior to dropping into the excavated hole. The filter has two openings on the back allowing several plumbing options.
- The pump plumbing line attaches into one bulkhead and the optional overflow or 2" plug (if no overflow is desired) can be added to the other. Use the angle of the bulkheads to your advantage by choosing the bulkhead that works best with the direction and sweep of the plumbing to the BioFalls® Filter. (See Ex. 5)



Ex. 5

- Install the PVC slip fitting into each bulkhead on the outside of the skimmer to receive the pump plumbing and optional overflow plumbing.
- Use some silicone sealant or Teflon tape (not included) to coat the threads of the fittings, in order to help provide a watertight seal.

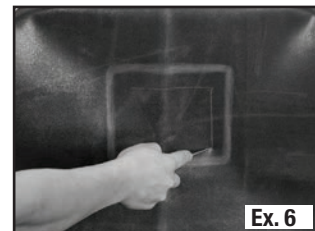
### ATTACHING THE SKIMMER LINER PLATE

- Position the liner against the skimmer opening, making sure there is slack below the opening. This will help reduce tension on the liner plate when placing boulders in front of the unit.

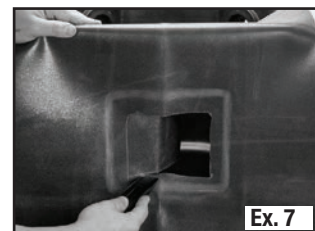
**Note:** Power tools are not recommended for installing the screws and may strip the nut inserts.

- Mark the outer perimeter of the skimmer opening on the liner, and then mark a second box 1.5" inside of it. This ensures that you don't cut too much of the liner, which would result in a possible leak (See Ex. 6).

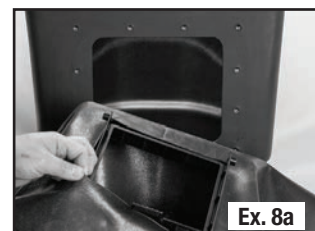
- Cut the inner box using a pair of scissors, and insert the skimmer liner plate into the hole (See Ex. 7).



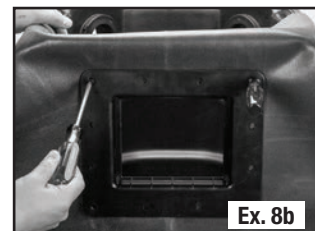
- Place the liner around the faceplate and temporarily install the liner plate and liner to the skimmer. Using an awl or nail, poke the first hole through the liner in one of the upper corners. Be careful not to damage the threads on the nut inserts when punching the holes with the awl. Remove the awl or nail while holding the liner plate and liner in place and begin threading one of the screws into the filter. Repeat this process with the other upper corner (See Ex. 8a & 8b).



- Now remove the liner plate from the skimmer, keeping the screws installed through the liner plate and liner (See Ex. 9).



- Apply a bead of fish-safe silicone sealant around the skimmer opening, over the nut inserts (See Ex. 10). Pre-installing the two screws in the earlier steps will make it easy to line up the skimmer faceplate after the silicone is applied and will keep the silicone in as thick of a bead as possible.



## STEP 5

### ADD ROCK AND GRAVEL

You can expect to use several tons of stone and gravel for your water feature. Visit [www.aquascapeinc.com](http://www.aquascapeinc.com) for information on calculating the required stone and gravel. Below are some helpful formulas for choosing the stone and gravel.

#### Stone Calculation for the Pond

$$\text{Length} \times \text{Width} / 65 = \text{Tons of boulders}$$

#### Gravel Used in the Pond

$$\text{Pond Gravel} = 30\% \text{ total tons of pond boulders}$$

- Start from the bottom and set the largest character boulders first against the vertical walls, then stack the smaller boulders on top.
- Be careful when placing any large boulders to avoid damaging.
- The opening on the front of the skimmer can be hidden by placing boulders on either side and bridging a stone or piece of driftwood across, creating a cave effect.

Note: Make sure the boulders do not block the water flow into the skimmer.



- Cover all remaining flat surfaces with a couple inches of decorative gravel. This will help lock the boulders in place, as well as cover the remaining liner, protecting it from ultraviolet rays and giving bacteria a place to colonize.



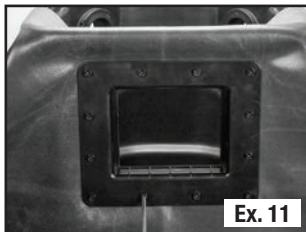
- Replace the skimmer liner plate and the two corner screws, and then proceed with the bottom two corners. Make sure the holes in the liner plate that the weir flap clicks into are on the bottom.
- With the four corners secured, you may now punch the remaining holes with your awl and thread in all the screws. Again, be careful not to damage the threads on the nut inserts (see Ex. 11).
- Let dry for at least one hour before introducing water.



Ex. 9



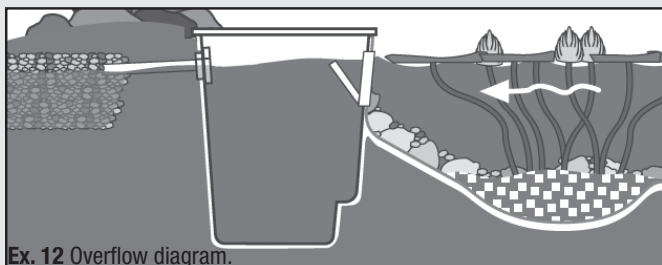
Ex. 10



Ex. 11

### Optional Overflow Installation Instructions

- The built in overflow will allow the water in an overflow situation to flow through the pipe and drain away from the pond. Use the 2" plug to plug the bulkhead if you do not want the overflow option.
- Excavate a trench for a section of PVC Flex pipe to come off the back of the desired bulkhead. The trench should be no less than 5 ft. from the back of the skimmer and graded away from the pond (See Ex. 12).
- Create a drainage area at the end of the pipe by excavating a small pit, roughly 16 inches in diameter and at least 12 inches deep. Fill the pit with excess gravel.
- Prime and glue the section of PVC Flex pipe into the slip fitting and run it to the top of the gravel pit. Cover the gravel pit with a small section of underlayment and top with soil.



Ex. 12 Overflow diagram.

## WASH ROCKS AND GRAVEL

- Using a garden hose, wash the rock and gravel down in order to remove the dust and dirt. Use the pump provided with the kit attached to a scrap section of kink-free pipe. The pump can temporarily be placed in the lowest point of the pond and the dirty water discharged to a drainage area in the yard.

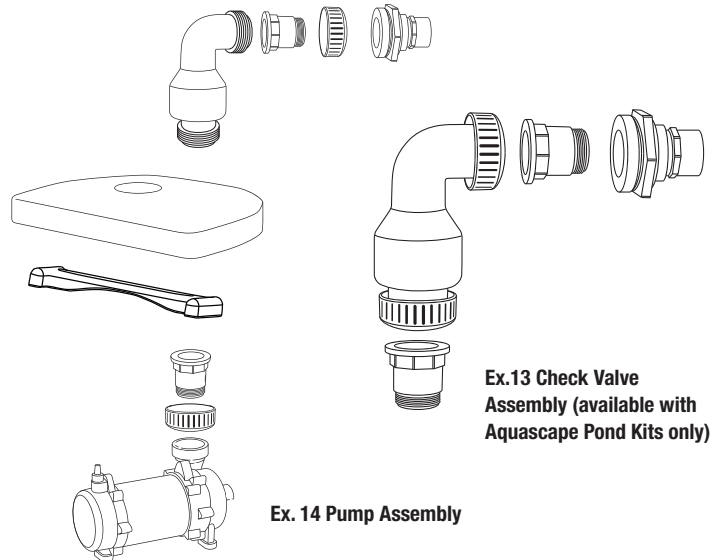


## STEP 6

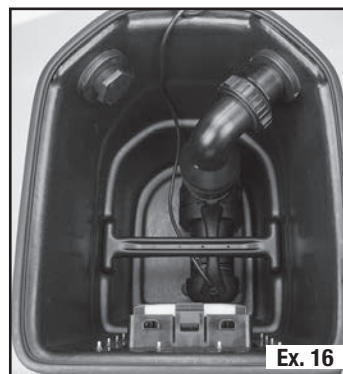
### COMPLETE THE SKIMMER INSTALLATION

- The Signature Series™ check valve (with Aquascape Pond Kits) comes with two adaptors that replace the standard PVC pipe sockets on each end of the check valve (see Ex. 13). One adaptor threads directly into the pump, the other threads directly into the bulkhead on the back of the skimmer that supplies water to the BioFalls® Filter. Apply silicone or Teflon tape (not included) to the threads of the fitting (Ex. 15).
- The second hole located in the back of the skimmer is for the overflow. The overflow will help maintain the maximum water level in the pond after rainfall, ensuring that your skimmer works properly and water does not travel over the edges of the liner and cause problems with hydrostatic pressure. Refer back to page 6 for overflow information. If not using the overflow, the bulkhead fitting can be blocked using the 2" plug as shown in Ex. 16. and Ex. 17.
- Place the pump at the bottom of the skimmer. Follow pump instructions (see Ex. 14).
- Once inside the skimmer, feed the electrical cord over the depression located on the back, top edge of the skimmer (see Ex. 16).

- Set the filter rack inside the skimmer (See Ex. 16). Insert the skimmer mat into the filter (See Ex. 17).
- Please refer to check valve assembly instructions for further pump plumbing information.



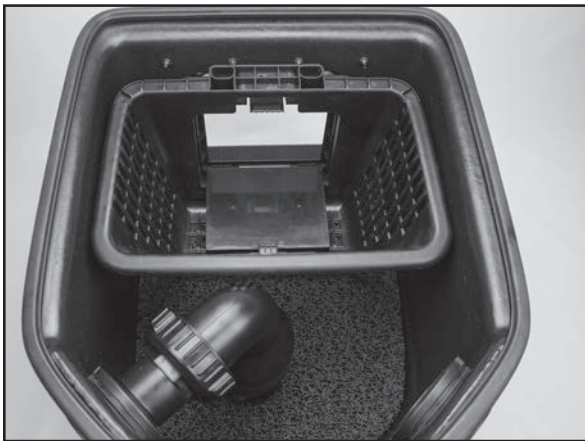
**Ex. 15** One adaptor threads directly into the pump and the other threads directly into the bulkhead on the back of the skimmer. Apply silicone or Teflon tape (not included) to the threads of the fitting.



## STEP 6 CONT...

### COMPLETE THE SKIMMER INSTALLATION

- Attach skimmer basket



## STEP 7

### FILL POND

Fill up the pond with water, just below the level of the overflow in the skimmer.



## STEP 8

ENJOY!

## General maintenance & seasonal care

### Weir Door

The Signature Series(TM) Skimmer weir door can be closed shut to temporarily drain down the water in the skimmer for maintenance. Open the weir door as soon as maintenance is completed to avoid operating the pump in low water conditions for extended periods of time.

### Debris Basket

The Signature Series™ Skimmer is designed to sweep the surface of the water so this it is free from debris. The debris basket inside the skimmer is the first filter stage of the skimmer. The basket will collect leaves, twigs, seeds and other pond debris. It takes approximately two to three minutes every other week to empty the debris net. More frequent changes will be required during the fall and spring because of the quantity of leaves falling off the surrounding trees.

It is a good habit during your first season with the pond to periodically lift the skimmer lid and check the quantity of debris in the basket. This is especially true in the fall. Keep a mental note as to how often your basket has to be emptied. It's important that the debris basket is not allowed to become too full. Too much debris can reduce the water flow to the pump.

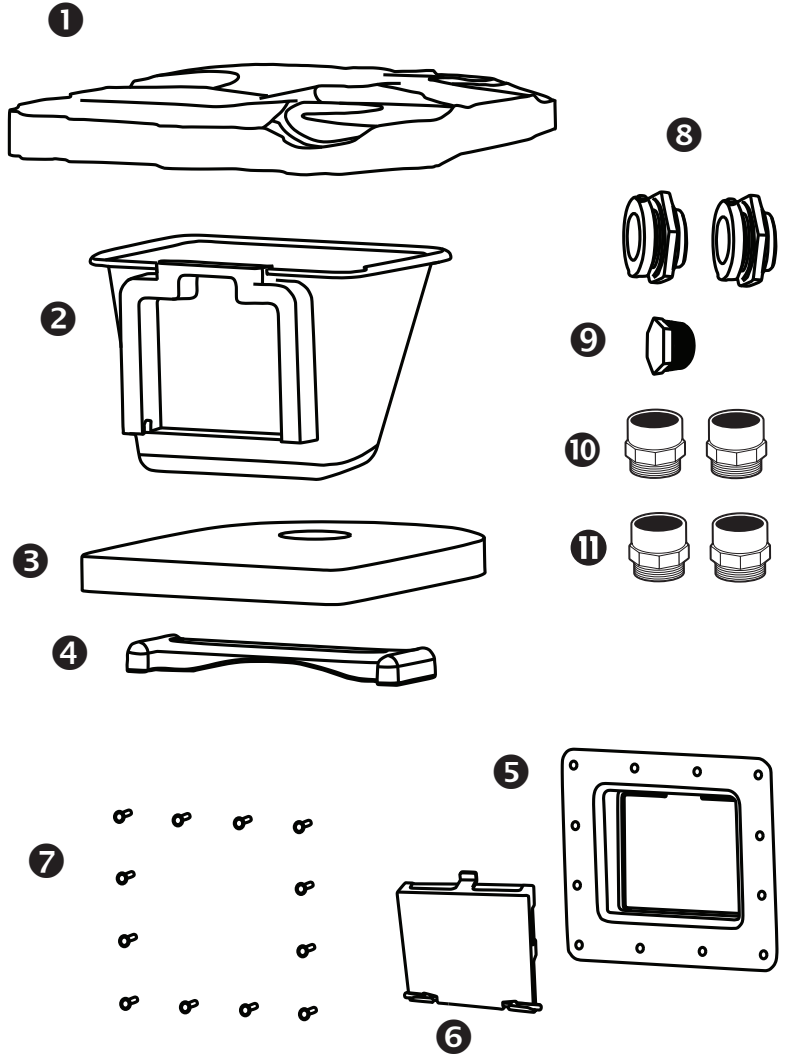
### Filter Mat

The filter mat below the debris basket is the second stage of the skimmer. The mat is designed to handle any debris that finds its way past the basket. The mat will not need maintenance as frequently as the basket, since the basket will remove the majority of debris from the water. Remove and rinse the mat when you notice less flow over the waterfall.



# Replacement Parts

Skimmer Replacement Parts	
No.	Item number/description
1.	43023 Rock Lid
2.	43007 Debris Basket
3.	43011 Filter Mat
4.	43008 Filter Mat Support Rack
5.	43006 Exterior Face Plate
6.	43005 Weir Door
7.	54001 Brass Screws (13)
8.	29103 Bulkead Fittings (2)
9.	29394 2" Plug
10.	29158 2" MPT x 2" Slip
11.	29157 2" MPT x 1.5" Slip



## Warranty

### LIFETIME WARRANTY

Aquascape warrants that the Signature Series Skimmer Filter will be free of manufacturing defect for the lifetime of the product if properly installed and maintained. If upon Aquascape's inspection, the Signature Series Skimmer Filter shows evidence of a manufacturing defect, Aquascape's liability is limited, at Aquascape's option, to the repair of the defect, or the replacement of the defective product. There are no warranties either expressed or implied, including the implied warranties of merchantability and fitness for a particular purpose, which extend beyond the warranties contained in this document. Aquascape shall not be liable for any incidental, consequential or other damages arising under any theory of law whatsoever.

**One Year Warranty:**  
Signature Series Skimmer internal parts

For more information about our company or products, please visit our website at [www.aquascapeinc.com](http://www.aquascapeinc.com)  
or call us at (US) 1-866-877-6637 (CAN) 1-866-766-3426



# Signature Series™ 400 Pond Skimmer

**For Article #'s**

43021 - Signature Series 400



**Merci d'avoir choisi le filtre Signature Series™ Skimmer.**

Chez Aquascape, notre but est de fournir à nos clients des produits de la plus haute qualité pour le jardinage aquatique. Nous espérons que vous aimerez votre achat et nous vous remercions d'avoir choisi Aquascape.

*Votre paradis. Notre passion.<sup>MD</sup>*



# Signature Series™ 400 Pond Skimmer

Les filtres Skimmer d'Aquascape offrent une filtration mécanique pour votre plan d'eau. Nos écumeurs sont conçues par une équipe professionnelle pour qu'elle soit facile à installer dans votre étang artificiel et à entretenir. Inclus aussi les options brevetées pour un entretien d'étang artificiel gratuit et sans effort. Le filtre skimmer est garanti à vie!

Les codes barres suivants vous offrent des options inspirantes, un guide de dépannage et des services d'entretien.



Téléchargez gratuitement notre catalogue



Visitez l'Académie Aquascape - inscrivez-vous à une série de cours conçus pour vous aider à devenir rapidement un véritable amateur d'accessoires aquatiques.



Vous pouvez retrouver les ressources en ligne d'aquascape - accès aux informations sur le produit, le guide d'installation (français & anglais), vidéo, photos inspirantes et encore plus, sur un seul et unique site pratique.

## TABLE OF CONTENTS

Introduction .....	12
Composants .....	13
Outils recommandés .....	13
Instructions pour l'installation .....	14
Entretien général .....	18
Pièces de rechange .....	19
Garantie .....	19

## 📞 NOUS JOINDRE

Pour plus de renseignements au sujet de notre société ou de nos produits, veuillez visiter notre site Web au [www.aquascapeinc.com](http://www.aquascapeinc.com) ou téléphonez sans frais au 1 866 766 3426, au Canada, ou au 1 866 877 6637, aux États-Unis.

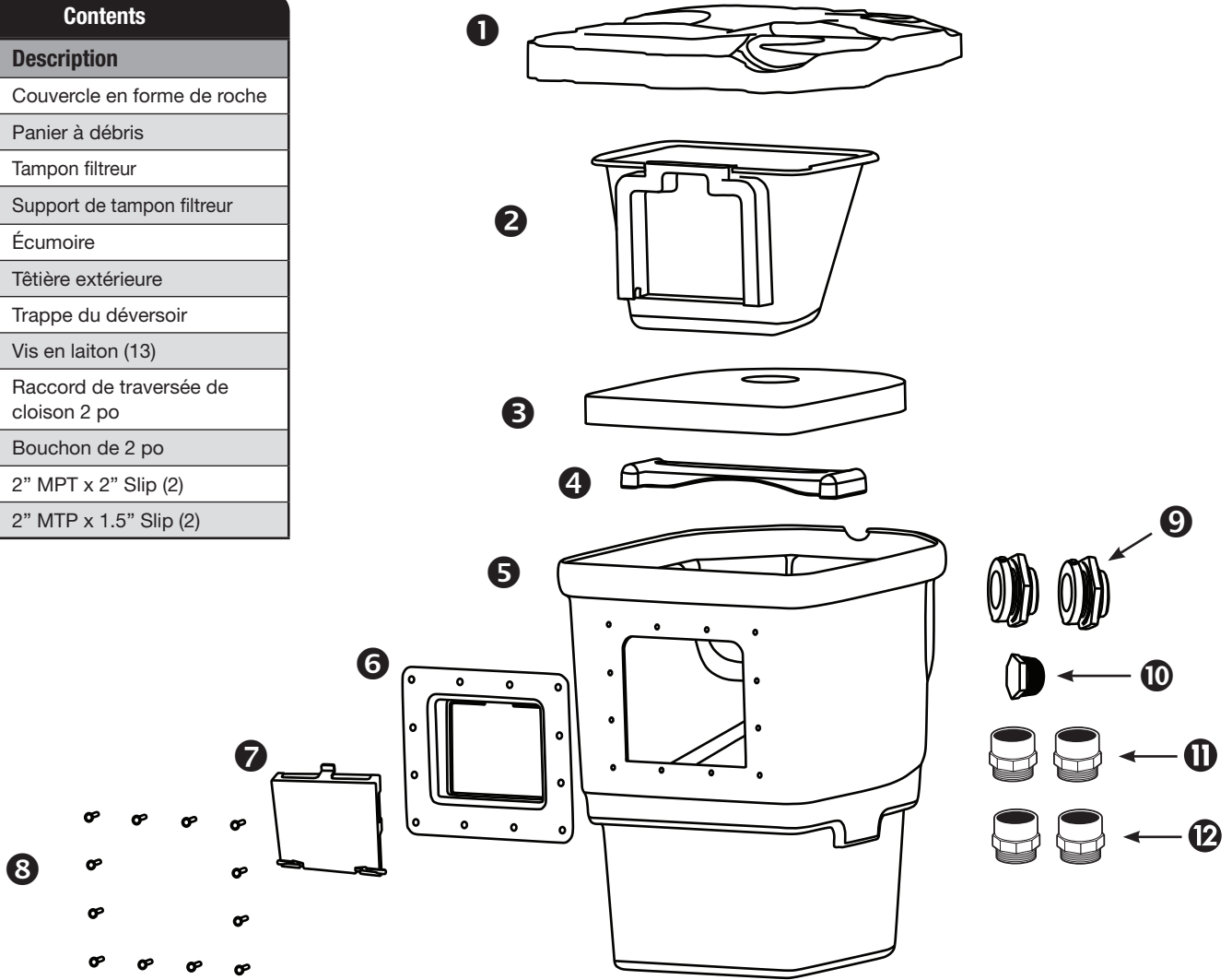
## Rejoignez-nous sur :



Flipboard

[www.facebook.com/AquascapeInc](http://www.facebook.com/AquascapeInc)  
[www.youtube.com/aquascape4](http://www.youtube.com/aquascape4)  
[www.twitter.com/AquascapeInc](http://www.twitter.com/AquascapeInc)  
[www.flipboard.com/profile/AquascapeInc](http://www.flipboard.com/profile/AquascapeInc)

Contents	
No.	Description
1.	Couvercle en forme de roche
2.	Panier à déchets
3.	Tampon filtreur
4.	Support de tampon filtreur
5.	Écumeire
6.	Têtière extérieure
7.	Trappe du déversoir
8.	Vis en laiton (13)
9.	Raccord de traversée de cloison 2 po
10.	Bouchon de 2 po
11.	2" MPT x 2" Slip (2)
12.	2" MTP x 1.5" Slip (2)



## Outils recommandés



Brouette



Amis (facultatif)



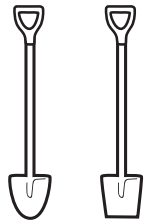
Peinture au pistolet de couleur vive



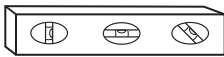
Tournevis



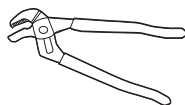
Dameuse



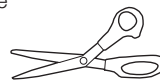
Pelles



Niveau à bulle



Pince multiprise à crémaillère

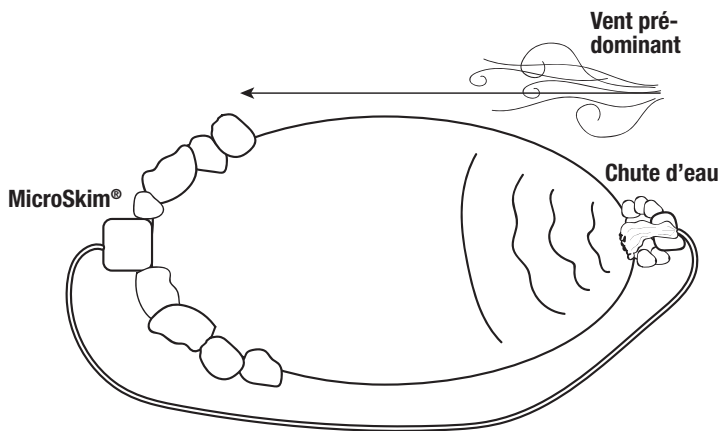
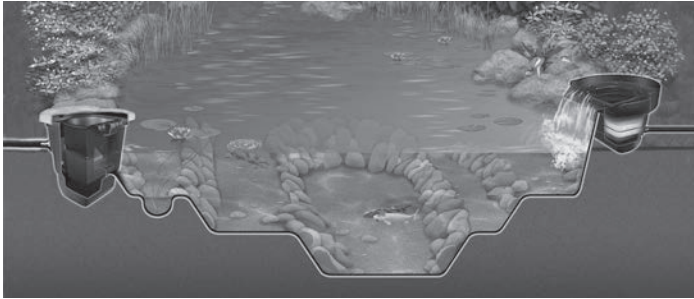


Ciseaux

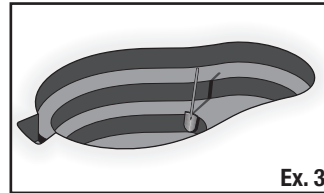
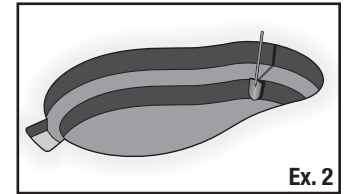
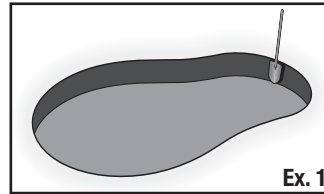
## ÉTAPE 1

### POSITIONNEMENT DE L'ÉCUMOIRE

- Pour maximiser la circulation, le filtre skimmer doit être placé directement devant la chute d'eau. Dans le cas où vous n'auriez pas de chute d'eau, utiliser les vents prédominants du terrain pour déterminer la position du filtre sur son axe le plus long. Ainsi, vous pouvez utiliser le vent pour aider à pousser les débris vers le filtre.



- La troisième marche (si désirée) est de 6" de profondeur (Ex. 3), pour atteindre une excavation de profondeur finale de 24".



## ÉTAPE 3

### EXCAVATION POUR L'ÉCUMOIRE

- Dégrossir et fouiller une zone pour le skimmer. Utilisez le plan de l'écumoire comme guide.
- Lors de l'installation du filtre skimmer pour un étang existant, vous devez vider l'eau de l'étang. Si vous avez des poissons, préserver un peu d'eau de l'étang dans un seau de large dimension, un bassin ou une piscine pour enfant. Attrapez vos poissons et les placer dans le contenant. Assurez-vous d'intégrer un aérateur dans le contenant et de garder les poissons dans l'ombre. Retirez les pierres dans un périmètre de 3 pieds autour du site du filtre. Exposer la région à excaver pour l'emplacement du filtre skimmer en retirant 3 à 4 pieds de toile à bassin.
- Lors de l'installation pour un étang artificiel existant, nous recommandons de positionner le couvercle du skimmer sur l'emplacement désiré. Chevaucher le couvercle sur l'étang d'environ 6". Marquez les extrémités du couvercle avec une peinture en aérosol ou avec la pointe de votre pelle. Positionner le filtre skimmer vers l'intérieur de l'étang avec un surplus de 6" pour faciliter le positionnement de la toile et l'attachement du panneau frontal.



## ÉTAPE 2

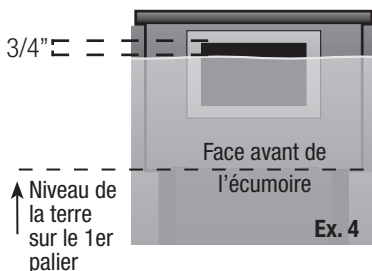
### EXCAVATION DE VOTRE PLAN D'EAU

- Pour l'installation de skimmer dans un étang artificiel existant, ignorez cette étape et continuez avec l'étape 3.
- Nous suggérons une excavation maximale de 18" à 24" de profondeur. Cette profondeur est nécessaire pour la santé des plantes aquatiques et est appropriée pour les poissons durant la saison hivernale.
- L'excavation doit être creusée en forme de marches. Ces marches servent à maximiser la stabilité des murs de l'étang et à la création de différents niveaux de plate-bandes pour différentes familles de plantes aquatiques.
- La première marche doit être de 8 à 10" de profondeur (Ex. 1), ou la dimension de la lame d'une pelle régulière.
- La deuxième est habituellement de même profondeur, 8 à 10". Commencer l'excavation à cette étape pour l'emplacement de filtre (Ex 2).

- Assurez-vous que la zone sous le filtre skimmer est compactée et est à niveau.
- La profondeur de l'excavation doit permettre 3/4" d'eau au-dessus de l'ouverture de l'écumoire. (Ex. 4) Pour l'installation dans un étang artificiel existant, veuillez utiliser le niveau d'eau connu pour l'excavation de l'écumoire.
- Vérifier deux fois toutes vos mesures, ce qui inclut la longueur et la profondeur de l'étang, les plate-bandes et la profondeur générale de l'étang.



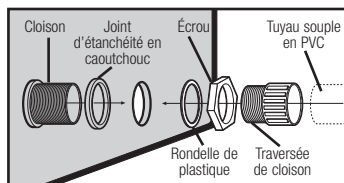
Utilisez un niveau 2' de la bulle pour vous assurer que votre skimmer est correctement septentrion en position. Votre skimmer doit être au niveau d'un côté à-côté et front-to-back.



## ÉTAPE 4

### INSTALLATION DU SKIMMER

- Installez les deux cloisons verticales à l'arrière de l'écumoire Signature Series<sup>MC</sup> avant d'insérer l'écumoire dans le trou creusé pour la loger. Le filtre comporte à l'arrière deux ouvertures pouvant recevoir diverses tuyauteries.



Installation de la cloison.



Ex. 5

- La ligne pompe de plomberie attache dans une cloison et le trop-plein en option ou un " bouchon 2 ( en l'absence de trop-plein est souhaité ) peut être ajouté à l'autre. Utilisez l'angle des cloisons à votre avantage en choisissant la cloison qui fonctionne le mieux avec la direction et le balayage de la plomberie au filtre Bio-Falls<sup>MD</sup> (See Ex. 5)

- Suivez les étapes décrites pour l'installation de la cloison sur le filtre BioFalls<sup>MD</sup> (se reporter à la rubrique sur le montage des cloisons).
- Install the PVC slip fitting into each bulkhead on the outside of the skimmer to receive the pump plumbing and optional overflow plumbing.
- Recouvrez le filetage du raccord d'un scellant à base de silicone ou de ruban de téflon (non fourni) afin d'assurer l'étanchéité du joint.

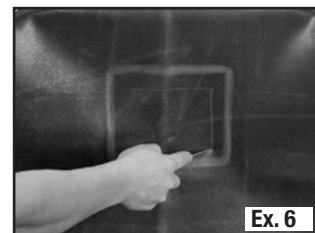
### Fixation du cadre de retenue de la toile

- Placez la toile devant l'ouverture de l'écumoire en veillant à laisser du jeu sous l'ouverture. Ce jeu permettra de réduire la tension sur le cadre lorsque vous placerez les grosses pierres devant l'appareil.

#### AVERTISSEMENT

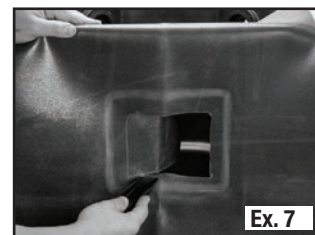
Les outils électriques ne sont pas recommandés pour l'installation des vis et peuvent endommager les écrous

- Marquez le contour externe de l'ouverture de l'écumoire sur la toile et tracez un second cadre à 1,5 po à l'intérieur du premier cadre. Vous éviterez ainsi de découper une trop grande ouverture dans la toile, ce qui pourrait entraîner une fuite (Ex. 6)



Ex. 6

- Découpez le cadre interne à l'aide de ciseaux et insérez le cadre de retenue de l'écumoire dans l'ouverture. (Ex.7)



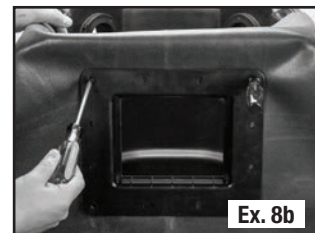
Ex. 7

- Fixez temporairement le cadre de retenue et la toile à l'écumoire au moyen de deux vis dans les coins supérieurs. Servez-vous d'un poinçon ou d'un clou pour percer la toile. Prenez garde de ne pas endommager le filetage des garnitures d'écrou en perçant les trous. Retirez le poinçon ou le clou en tenant le cadre de retenue et la toile en place, et insérez une des vis dans le filtre. Répétez l'opération pour les autres vis (Ex. 8a, 8b)



Ex. 8a

- Retirez maintenant le cadre de retenue de l'écumoire en laissant les vis dans le cadre et la toile. (Ex. 9)



Ex. 8b

- Les deux vis temporaires qui ont été précédemment posées faciliteront l'alignement de la plaque frontale de l'écumoire

après l'application de silicone en plus de protéger l'épaisseur de la couche de silicone. Appliquez une couche de scellant à base de silicone sans danger pour les poissons autour de l'ouverture de l'écumoire, par-dessus les chevilles d'écrous (Ex. 9)



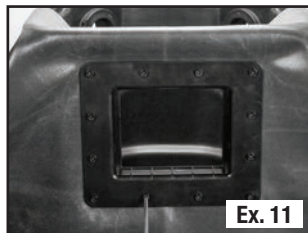
Ex. 9

- Remplacez le cadre de retenue et les deux vis des coins supérieurs, puis fixez les deux coins inférieurs (Ex. 10). Assurez-vous que les ouvertures du cadre de retenue de la toile dans lesquelles seront fixés les rabats du déversoir se trouvent dans le bas.



Ex. 10

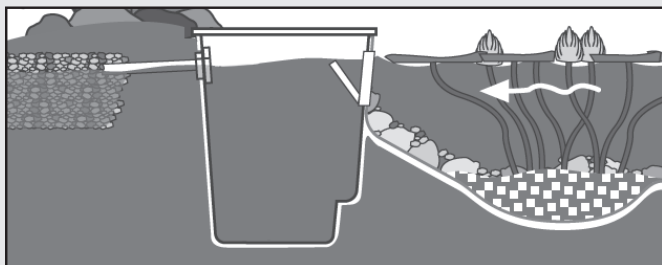
- Maintenant que les quatre coins sont fixés, vous pouvez percer les autres trous avec un poinçon ou un clou et insérer les autres vis. Prenez bien soin de ne pas endommager le pas de vis des chevilles d'écrous. (Ex. 11)
- Laissez sécher au moins pendant une heure avant d'ajouter l'eau !



Ex. 11

### Instructions pour la pose du trop-plein en option

- Quand l'eau est prête à déborder, le trop-plein intégré permet à l'eau de s'écouler à travers le tuyau et d'être drainée loin du bassin. Utilisez le bouchon de 2 po pour boucher la cloison si vous ne voulez pas du trop-plein en option.
- Creusez une tranchée pour faire passer le tuyau de PVC souple en provenance de l'arrière de la cloison. La tranchée ne doit pas s'arrêter à moins de 5 pieds de l'écumoire et elle doit avoir une pente qui permettra à l'eau de s'écouler loin du bassin (Fig. 12).
- Créez une zone de drainage à l'extrémité du tuyau en creusant un petit trou d'environ 16 po de diamètre et d'au moins 12 po de profondeur que vous remplirez de gravier.
- Enduisez le tuyau de PVC souple et collez-le dans la cloison, faites-le sortir au-dessus du trou de gravier. Recouvrez le trou d'une petite bâche géotextile et de terre.



Ex. 12 Évacuation du trop-plein.

## ÉTAPE 5

### AJOUTEZ LES ROCHES ET LE GRAVIER

Il faut vous attendre à utiliser plusieurs tonnes de roches et de gravier pour vos accessoires aquatiques. Consultez un détaillant Aquascape ou un fournisseur de roches pour vous aider à choisir la quantité et la taille des pierres et du gravier. Visitez le site [www.aquascapeinc.com](http://www.aquascapeinc.com) pour avoir des informations sur le calcul de la quantité de pierres et de gravier. Vous trouverez ci-dessous des formules utiles pour vous aider à choisir les pierres et le gravier.

#### Calcul de la quantité de pierres pour le bassin

Longueur x largeur ÷ 65 = quantité de roches en tonnes

#### Gravier utilisé dans le bassin

Quantité de gravier = 30 % du poids total des roches

- En partant du fond, posez d'abord les roches de plus grande taille contre les parois verticales, puis empilez par dessus les roches plus petites.
- Pour ne pas endommager la poche, soyez attentifs quand vous posez de grosses roches.
- L'ouverture à l'avant de la skimmer peut être cachée en plaçant des roches de chaque côté et en posant une pierre ou un morceau de bois de grève par dessus et en travers pour créer une sorte de petite caverne.

Remarque : assurez-vous que les grosses roches ne bloquent pas le débit d'eau dans l'écumoire.



- Couvrez toutes les surfaces restantes en déposant quelques centimètres de gravier décoratif. Ceci aidera à bien maintenir en place les grosses roches et aussi à recouvrir le reste de la poche en la protégeant des rayons ultraviolets et en offrant un endroit aux bactéries pour qu'elles se développent.





## LAVEZ LES ROCHES ET LE GRAVIER

- À l'aide d'un tuyau d'arrosage, lavez les roches et le gravier pour retirer la poussière et la saleté. Utilisez la pompe fournie avec l'ensemble et attachez-la à un morceau de tuyau anti-pli. La pompe peut être temporairement placée à l'endroit le plus bas du bassin et l'eau sale peut être refoulée dans une zone de drainage du jardin.

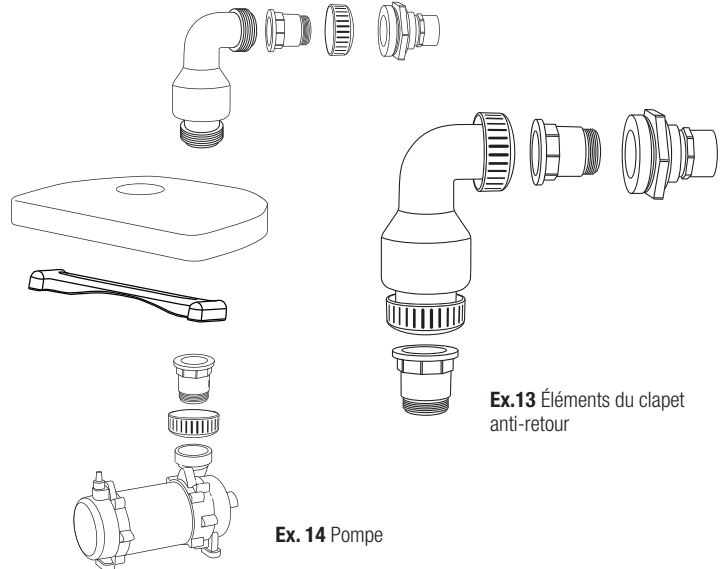


## ÉTAPE 6

### ACHEVEZ LA POSE DE LA SKIMMER

- Les clapets anti-retour Signature Series<sup>MC</sup> sont livrés avec deux adaptateurs qui remplacent les douilles habituelles en PVC qui se trouvent de chaque côté du clapet (see Ex. 13). Un adaptateur se visse directement dans la pompe et l'autre dans la cloison arrière de l'écumoire assurant l'arrivée d'eau au filtre BioFalls<sup>MD</sup>. Recouvrez le filetage du raccord de silicone ou de ruban en téflon (non fourni) (see Ex. 15).
- Le deuxième orifice à l'arrière de l'écumoire est destiné au trop-plein. Ce dispositif maintient le niveau d'eau optimal après une forte pluie afin que l'écumoire fonctionne correctement et que l'eau ne déborde pas des extrémités de la toile, ce qui pourrait entraîner des problèmes de pression hydrostatique. Reportez-vous à la page 6 pour les renseignements concernant le trop-plein.
- Placer la pompe au fond du skimmer. Suivez les instructions pompe et (voir Ex. 14)
- De l'intérieur de l'écumoire, tirez le cordon électrique dans la découpe ménagée dans le haut de la face arrière de l'écumoire. (Ex. 16)

- Insérez le support de filtre dans l'écumoire (See Ex. 16)  
Percez l'orifice tracé dans la masse filtrante et insérez celle-ci dans le filtre (See Ex. 17)
- Reportez-vous aux instructions sur le montage du clapet anti-retour pour plus de renseignements sur l'installation de la pompe.

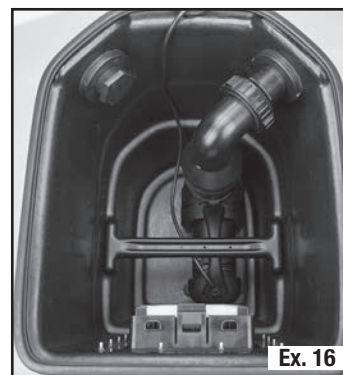


Ex. 13 Éléments du clapet anti-retour

Ex. 14 Pompe



Ex. 15 Un adaptateur se visse directement dans la pompe et l'autre dans la cloison arrière de l'écumoire. Recouvrez le filetage du raccord de silicone ou de ruban de téflon (non fourni).



Ex. 16

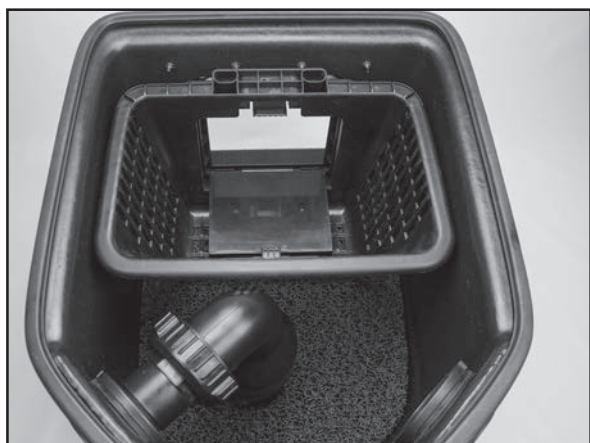


Ex. 17

## ÉTAPE 6 CONT...

### ACHEVEZ LA POSE DE LA SKIMMER

- Attach Skimmer basket



## ÉTAPE 7

### REPLISSAGE DU BASSIN

Remplissez le bassin d'eau juste en dessous du niveau du trop-plein de l'écumoire.



## ÉTAPE 8

### PROFITEZ BIEN!

## Entretien courant et saisonnier

### Trappe du déversoir

La trappe du déversoir de l'écumoire Signature Series™ peut être fermée pour drainer temporairement l'eau de l'écumoire pendant son entretien. Pour empêcher la pompe d'être utilisée pendant une période prolongée quand le niveau d'eau est bas, ouvrez la trappe du déversoir dès que l'entretien est terminé.

### Panier à débris

L'écumoire Signature Series<sup>MD</sup> est conçue pour capter les débris présents à la surface de l'eau. Le panier à débris qui se trouve à l'intérieur de l'écumoire constitue le premier étage de filtration. Il recueille les feuilles, les brindilles, les graines et autres débris. Il suffit de deux ou trois minutes toutes les deux semaines pour vider le panier. Il faut toutefois répéter l'opération plus souvent à l'automne et au printemps en raison de la quantité de feuilles qui s'accumulent.

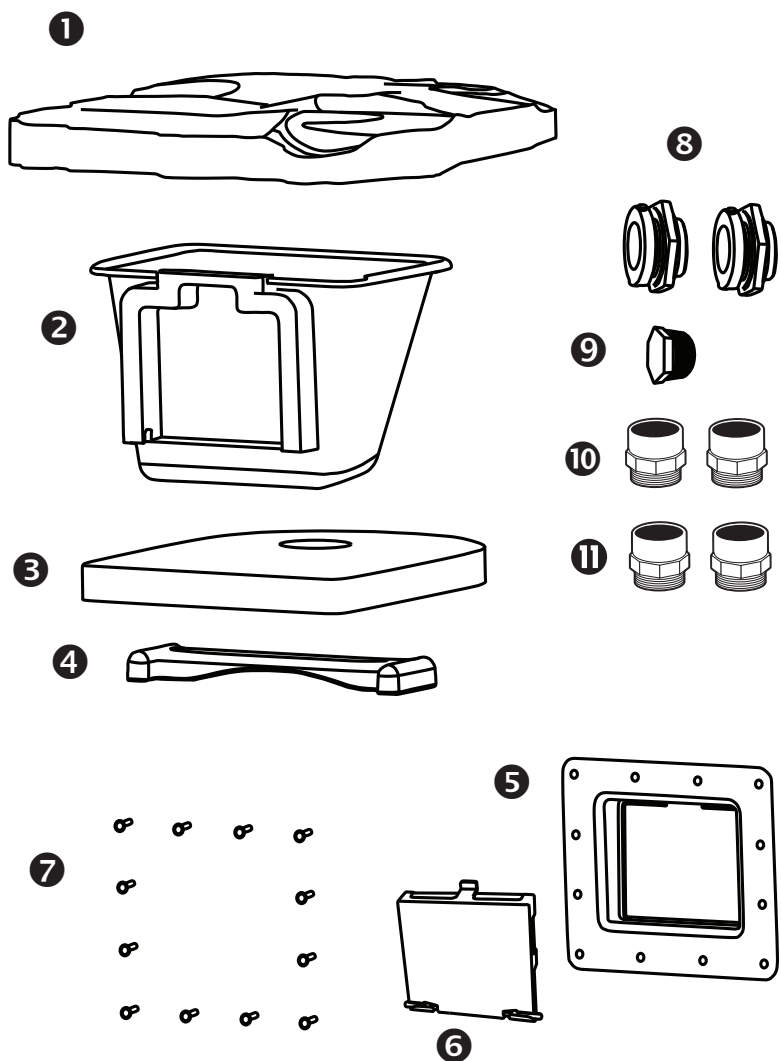
Durant la première année, il est conseillé de soulever le couvercle de l'écumoire de temps à autre pour vérifier le niveau des débris accumulés – surtout à l'automne. Essayez de vous souvenir de la fréquence à laquelle vous videz le panier. Il faut éviter que le panier ne soit trop plein, ce qui pourrait ralentir le débit de l'eau alimentant la pompe.

### Masse filtrante

La masse filtrante qui se trouve sous le panier à débris constitue le deuxième étage de filtration. Cette masse est conçue pour retenir tout débris qui s'échappe du panier. La masse filtrante n'exige pas un entretien aussi fréquent que le panier puisque c'est ce dernier qui recueille la grande majorité des débris. Retirez la masse filtrante et rincez-la lorsque vous constatez que le débit de l'eau ralentit.

## Pièces de rechange

Skimmer Replacement Parts	
No.	Item number/description
1.	43023 Couvercle en forme de roche
2.	43007 Panier à débris
3.	43011 Tampon filtreur
4.	43008 Support de tampon filtreur
5.	43006 Tête extérieure
6.	43005 Trappe du déversoir
7.	54001 Vis en laiton (13)
8.	29103 Raccords de traversée de cloison (2)
9.	29394 Bouchon de 2 po
10.	29158 2" MPT x 2" Slip
11.	29157 2" MPT x 1.5" Slip



## Garantie

### GARANTIE À VIE

Aquascape garantit que le filtre d'écume Signature Series est exempt de vice de fabrication pour la durée de vie du produit s'il a été posé et entretenu de façon appropriée. Si, lors de l'inspection conduite par Aquascape, le filtre d'écume Signature Series présente une preuve de vice de fabrication, la responsabilité d'Aquascape est limitée, à la discrétion d'Aquascape, à la réparation du vice ou au remplacement du produit défectueux. Il n'y a aucune garantie expresse ou implicite, y compris les garanties implicites de qualité marchande et de convenance à des fins particulières, qui s'étende au-delà des termes et de la durée des garanties énoncées dans le présent document. Aquascape ne saurait être tenue responsable de tout préjudice direct, accessoire ou autre, quelle qu'en soit la cause et selon toute définition de responsabilité.

### Garantie un an :

Pièces internes de l'écume Signature Series

For more information about our company or products, please visit our website at [www.aquascapeinc.com](http://www.aquascapeinc.com)  
or call us at (US) 1-866-877-6637 (CAN) 1-866-766-3426

©2015 Aquascape, Inc. • All Worldwide Rights Reserved

55009 • Rev 1/16