

## Jebao Pond Pump JGP series

Please read these Instructions completely before using one of the jebao pond pumps in below table.

Model	Rated voltage	rated current input	Motor	Flow	Max. Total head	Max. operation depth
JGP15000	120V,60Hz	2. 55A	EM-15000	15000L/h	8.5m	2m
JGP20000	120V,60Hz	3. 55A	EM-20000	20000L/h	7.5m	2m
JGP25000	120V,60Hz	3. SA	EM-25000	25000L/h	5.5m	2m
JGP30000	120V,60Hz	4. 5A	EM-30000	30000L/h	9.0m	2m

These pumps are used as submersible and non-submersible pumps provided with overload-protected devices in garden ponds, fountains, terraced fountains, indoors fountains to circulate and oxygenate clear water. You can use the suction cups or four screws to fix it. It is fixed to any appropriate bases. Make sure that the appliance is securely installed before operating it.

These pumps are not for use in swimming pools!

**CAUTION:** These Pumps should be installed according to your local electrical installation code. Please contact an electrician.

For all technical data, please refer to the content stated on the rating label of the pump.

### Safety instructions

- Read and observe all the instructions supplied with the appliance and on the appliance.
- Make sure that you outlet voltage corresponds to the stated on the rating label of the pumps.
- Make sure the appliance is securely installed before operating it.
- The electrical connection should be located in a water-proof area and should be at least 2 meters (6 feet) away from the edge of the pond (see fig.1).
- Keep the electrical connections dry! Ensure that the electrical cord loops below the electrical outlet to form a "Drip Loop". This will prevent water from running down the cord into the electrical outlet.
- Always unplug the appliance when not in use, before putting on or taking off parts, before cleaning the pumps and before doing any work for the fountain or pond.
- The pump must not be used when people are working in water. Please disconnect the pump first.
- Do not operate any appliance with a damaged cord or plug, or in abnormal state. The supply cord of the appliance cannot be replaced. If the cord is damaged the appliance should be scrapped.
- For safety reasons, any repair work should be done only by the manufacturer of the products or the authorized service facility or discard it.
- Never hang or transport the pump by means of pulling the power cord!
- Close supervision is necessary when the appliance is used by or near children.

- If you want to disconnect the pump, you can pull out the plug and the plug must be placed where you can access it.
- Never use of accessories which are not recommended by the appliance manufacturer. It may result in fire, electric shock and/or personal injury.
- The pump is to be supplied through a residual current device (RCD) with a rated residual operating current not exceeding 30mA.
- Min. Length of power cord: 12m.
- To protect against the risk of electrical shock, do not immerse the plug in water or other liquid.

### **Used as submersible pumps (see fig.1)**

**IMPORTANT: Do not let the pump run dry - this could cause damage to the motor.**

- Submerge the pumps completely in your pond so as to make the pump body fill with water.
- A water level of approx. 15 cm (6 in.) is required for submersible use in order to prevent the pump from taking in air. (See fig.1)
- To prevent the filter becoming prematurely clogged, place the fountain pump above the mud in the pond!
- Install the enclosed filter sponge to prevent the fountain inlet from becoming clogged.
- The pump is designed to accommodate 1" internal threads as well as 1" external threads through the socket (fountain jets, nozzles, water height regulators, standpipes, etc.).
- Running in conjunction with fountain jets, the pump should be stationed firmly and horizontally (on a brick).
- The pump can be switched on by simply plugging it in and switched off by plugging off.
- The water temperature should not exceed 35°C (95°F) and do not let the pump freeze in the wintertime.
- This appliance is not intended for use by persons (including children) with reduced physical; sensory or mental capabilities, or lack of experience and knowledge, unless they have been given supervision or instruction concerning use of the appliance by a person responsible for their safety.
- Children should be supervised to ensure that they do not play with the appliance.

### **Used as non-submersible pumps (see fig.2)**

- Position the pump lower than the water surface on the side of the pond so that the water can be drained to the pump because it is not self-priming.
- Remove the filter cover (**see fig. 3**) and connect suction hose (A) and pressure hose (B) from the pump. The connection should be waterproof.
- Fill the suction hose and pump with water before turning it on.
- To prevent the pump from becoming clogged, provide the suction hose with an adequate suction filter.
- The pump is only suitable with a FI-switch 30 mA and has to be connected to a regular safety plug socket. Never let the pump run dry.

#### **Overload protection**

The pump has a built-in thermal overload trip which prevents the pump from overheating. The pump must be allowed to cool down before restarting.

If the pump will not start again automatically when cooling down, please check the following conditions:

- Is there a sufficient water supply? ----. *add water if necessary*
- Has the filter become clogged? ----. *Clean it if necessary*

conditions:

- Is there a sufficient water supply? ---+ *add water if necessary*
- Has the filter become clogged? ---+ *Clean it if necessary*
- Has dirt entered the pump housing? ---+ *follow the cleaning instructions below*
- Have hoses or jets become clogged? ---+ *clean them if necessary*
- Has the pump sufficiently cooled down after overheating?

•As soon as you have completed this checklist, you can start the pump again by plugging it back in.

Maintenance and cleaning (see fig. 3 and 4)

1. Follow these safety instructions. Make sure that the pump is unplugged.
2. Press the filter cover (1) together laterally and take it from the pump housing (6).
3. Loosen the 4 outer screws (9).
4. Unclip the pump housing (6) from motor housing (4).
5. Remove the rotor (8) from motor housing (4).
6. Clean all parts using water and soft sponge.

Assembling the pump together:

- Place the rotor (8) in motor housing (4) with caution.
- Make sure the rotor is assembled correctly and will turn freely and check the position of the sealing ring (7) on the pump housing (6).
- Put the pump housing (6) in the motor housing (4) and tighten the 4 screws (9) uniformly.
- Place the filter cover (1) and filter sponge (2) on the pump housing (6). Make sure that the lateral lugs of the filter cover must lock the pump housing (6).

## WARNING:

- Risk of electric shock - This pump is supplied with a grounding conductor and grounding type attachment plug. To reduce risk of electric shock, be certain that it is connected only to properly grounded, grounding-type receptacle.
- To reduce the risk of electrical shock, use only on portable self-contained fountains no larger than 5 feet in any dimension.
- Risk of Electric Shock, Do not remove cord and strain relief. Do not connect conduit to pump.
- This Pump Has Been Evaluated for Use With Water Only
- Reduce risk of electric shock during operation of this pump requires the provision of acceptable grounding.
- Risk of electric shock - This pump has not been investigated for use in swimming pool or marine areas
- Do not connect to any voltage other than that shown on the pump.
- Always disconnect from electrical outlet before handling the pump.
- Don't operate without water;
- Operate pump completely submerged for proper cooling.

DISPOSAL: Do not dispose this product as unsorted municipal waste. Collection of such waste separately for special treatment is necessary.

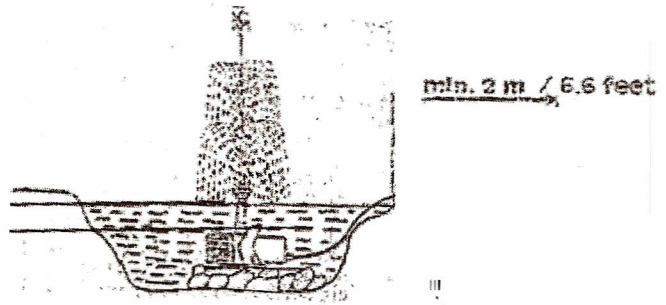


Figure 1

Figure 2

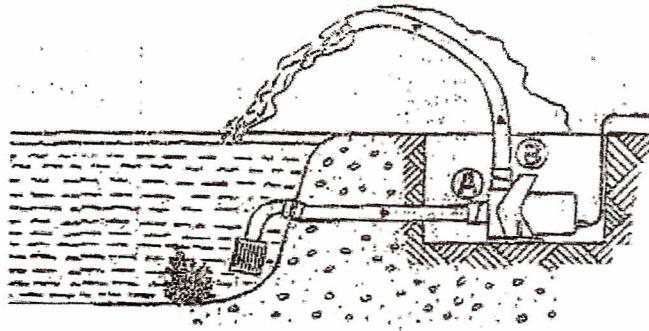


Figure 3

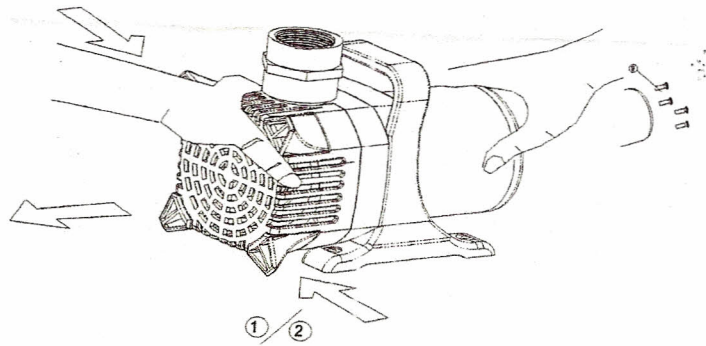


Figure 4

