

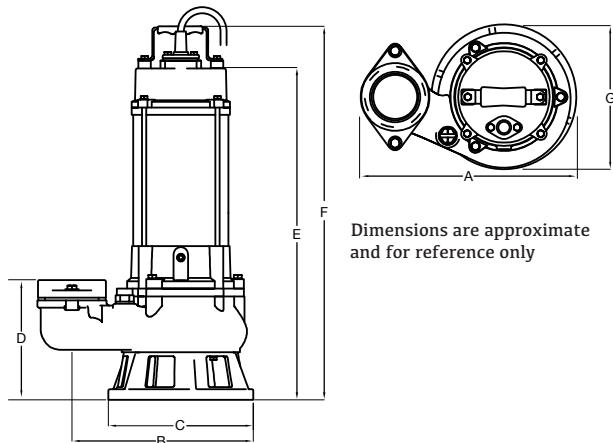
Features

EasyPro TB Series pumps provide the high flows required for large pond filtration and show stopping waterfalls. High performance and quality components make these pumps ideal for high head pressure applications where continuous duty, water circulation is required. Compact enough to still fit into large skimmers, the TB Series pumps offer proven reliability for ponds and waterfalls.

- Corrosion resistant stainless steel motor housing
- Continuous duty, energy efficient motors
- Flows up to 14,500 gph
- Head pressures to 72'
- Top quality double mechanical seals - over 100,000 hour life expectancy
- Thermal overload protection
- Designed for high head applications of greater than 20' head pressure
- 3" female threaded outlets
- Vortex impeller for passing solids up to 1.37" diameter
- 20' power cords
- Two year limited warranty



Dimensional Drawings



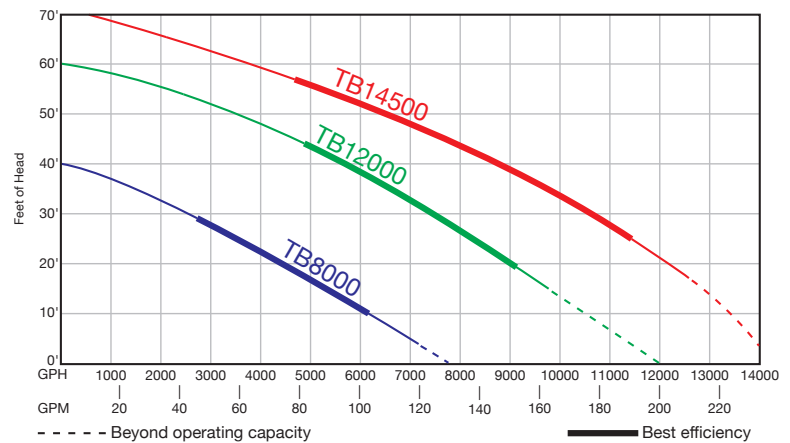
Dimensions are approximate and for reference only

	A	B	C	D	E	F	G
TB8000	10.43"	8.46"	6.89"	6.22"	15.35"	17.91"	6.89"
TB8002	10.43"	8.46"	6.89"	6.22"	15.35"	17.91"	6.89"
TB12000	12.99"	10.83"	8.66"	6.89"	18.31"	20.87"	8.66"
TB14500	12.99"	10.83"	8.66"	6.89"	19.88"	22.44"	8.66"

Applications

- Large waterfalls & streams
- Water features & fountains
- Water gardens
- High volume features

Performance Curves



Specifications

PART #	HP	MAX. FLOW	MAX. HEAD	MAX. AMPS	MAX. WATTS	GPM FLOW AT TOTAL SYSTEM HEAD PRESSURE							VOLTAGE	CORD
						0'	10'	20'	30'	40'	50'	60'		
TB8000	1	8000 gph	40'	11	1230	—	101	73	41	—	—	—	115	20'
TB8002	1	8000 gph	40'	5.5	1230	—	101	73	41	—	—	—	230	20'
TB12000	2	12000 gph	60'	9.7	2100	—	—	150	123	94	58	—	230	20'
TB14500	3	14500 gph	72'	14.5	3200	—	—	203	178	144	105	62	230	20'

Watt and amp draw ratings are typical but can vary with operating conditions

Technical data subject to change without notice, information for reference only.

EasyPro TB Series Specifications

General Information

Discharge size	3" fpt
Solid Passage Diameter	1.37" (35 mm)
Power Cable	20'
Impeller type	Vortex impeller
Range of horsepower	1, 2, 3
Range of Performance	Up to 240 (US GPM) 10' to 74' total head
Liquid Type	Clear water, waste water
Liquid Temperature	32°-104°F (0°-40°C)

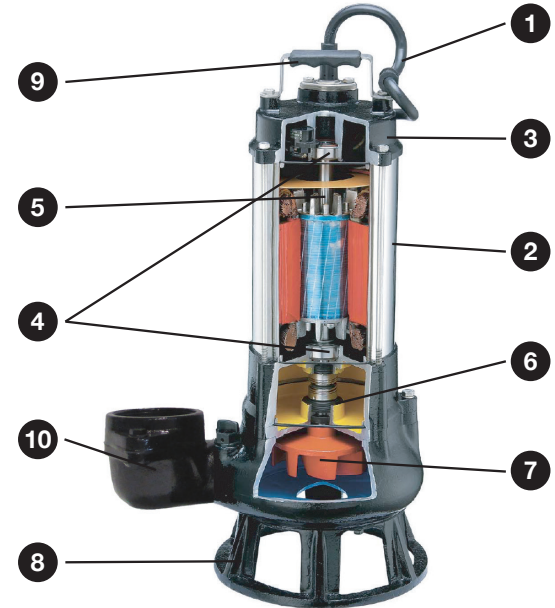
Motor

Voltage/Hz	115 or 230v on 1 hp, 230v only 2 and 3 hp, 60 Hz
Speed	3450 RPM
Capacitor Type	Running capacitor
Insulation Class	NEMA Class B

Material

Pump Housing/Cover/Base	Die casting FC-200
Impeller	Die casting FC-200
Pump Shaft	403 Stainless steel
Motor Housing	304 Stainless steel
Fasteners	304 Stainless steel
Bearings	SUJ2 Bearing steel
Type	Pre-lubricated double shielded
Mechanical Seal	Spring loaded double mechanical
Upper Side	Carbon (CA) / Ceramic (CE)
Lower Side	Silicon Carbide (SiC)/ Silicon Carbide (SiC)

Internal View & Parts



No.	Description
1	Cord
2	Motor Casing
3	Motor Housing
4	Bearings
5	Motor Shaft
6	Mechanical Seal
7	Impeller
8	Pump Base
9	Handle
10	Discharge



Technical data subject to change without notice, information for reference only.